



ARCHITECTURAL DETAIL  
corporation of logan

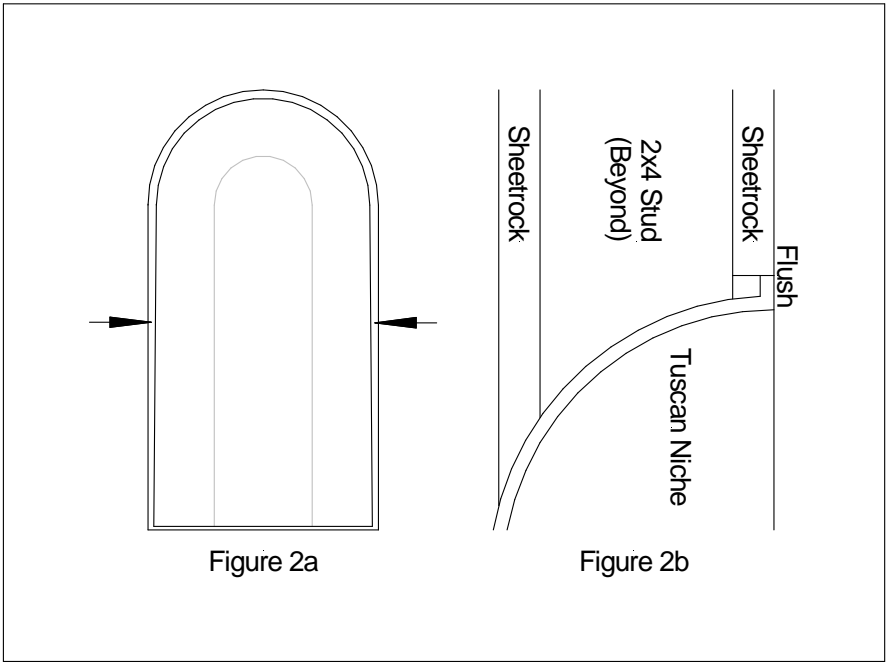
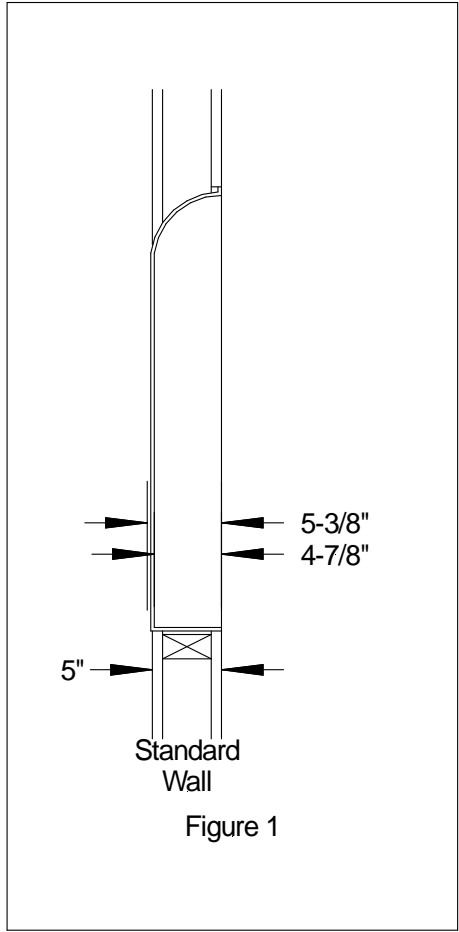
TEL:435.753-0800 FAX:435.755-0852 WWW.FIBERGLASSCOLUMNS.COM

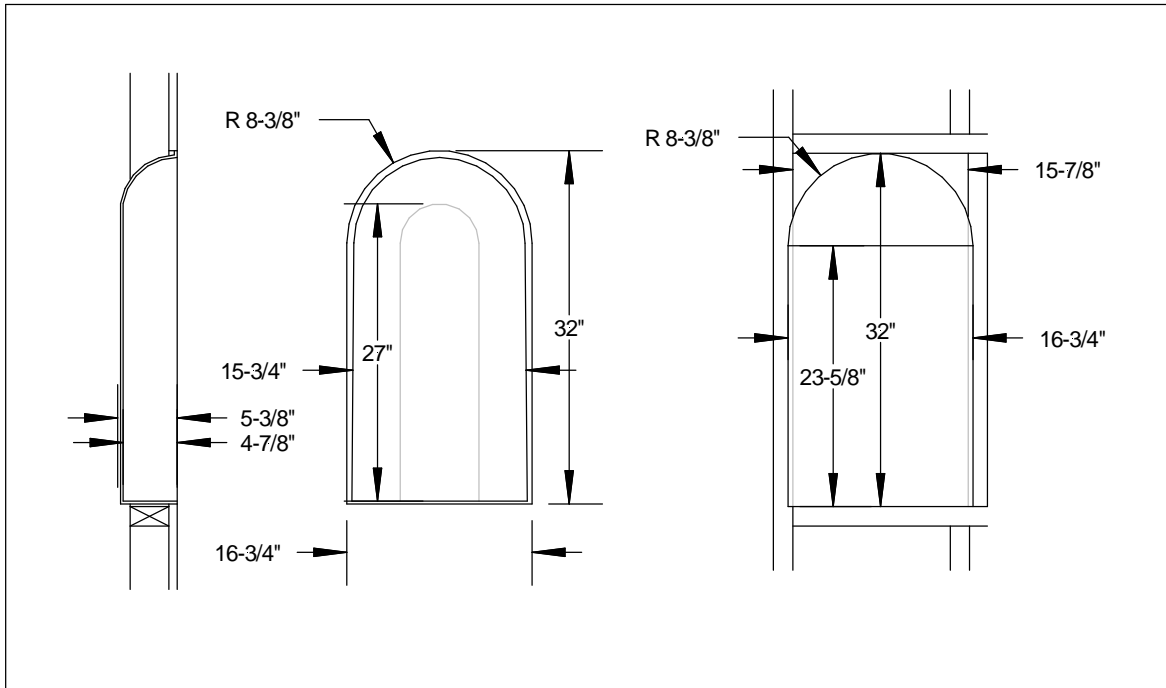
## TUSCAN NICHE WITHOUT TRIM INSTALLATION ©2007 Architectural Detail Corporation

**IMPORTANT NOTICE:** These instructions are for the Tuscan Niche without trim. To install Tuscan niches with trim see “TuscanAndBelliniNicheInstallation”.

The Tuscan Niche without trim is a more complicated installation and professional help is recommended.

- **Step 1:** The niche is deeper and wider than a standard wall and will need to be framed as such. If this is not a new construction the stud in the wall will need to be moved or altered. The niche also is deeper and will protrude out of the wall behind. Installing the niche in a location such as the outside of a closet is recommended because the back of the niche won't be an issue in other rooms; see **Figure 1** below.
- **Step 2:** A rough opening is cut in the sheetrock. To do this, trace the outside edge of the niche on the wall by putting the face against the wall.
- **Step 3:** The niche is mounted using drywall screws countersunk into the edges of the niche; see **Figure 2a** below. The edge around the niche should be flush with the wall all the way around; see **Figure 2b**.
- **Step 4:** The gap between the niche and sheetrock and the screw heads are patched using all purpose joint compound, automotive filler or similar patching materials.





TUSCAN With Out TRIM

Rough Depth: 5-3/8"	Overall Width: 16-3/4"
Rough Height: 32"	Overall Height: 32"
Rough Width: 16-3/4" (8-3/8" Radius)	Inside Width: 15-3/4"
Distance Protruding from Wall: 0"	Inside Height: 27"
Outside Width at Columns: NA	Maximum Shelf Depth: 4-7/8"