



ARCHITECTURAL DETAIL

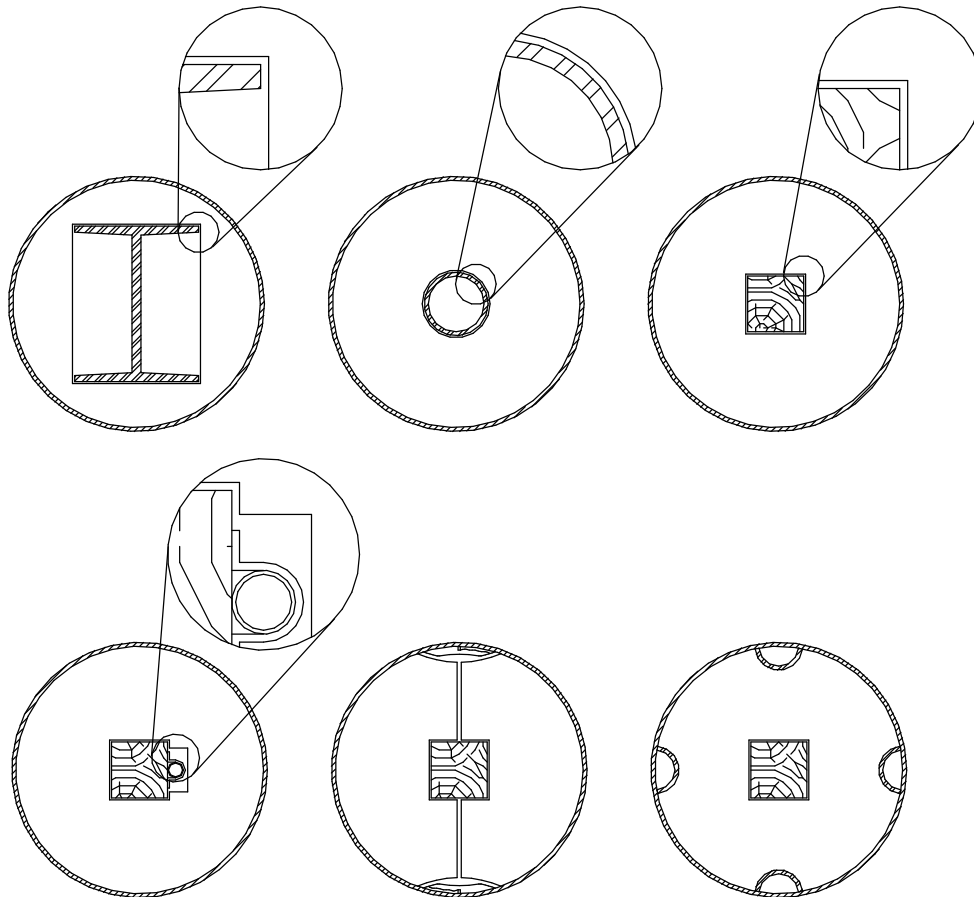
corporation of logan

TEL: 435.753-0800 FAX: 435.755-0852 WWW.FIBERGLASSCOLUMNS.COM

SELF CENTERING COLUMN INSTALLATION

©2007 Architectural Detail Corporation

Self centering gussets leave an 1/8" around the interior structure making the entire column center on the structure. The gussets can also be constructed to sit off-center if requested. This system is available for all of our column types and any interior structure geometry.



Interior Structures
with Attachments

SureFit
Reassemblies

Structural
Column