



ARCHITECTURAL DETAIL
corporation of logan

TEL:435.753-0800 FAX:435.755-0852 WWW.FIBERGLASSCOLUMNS.COM

NICHE INSTALLATION ©2007 Architectural Detail Corporation

IMPORTANT NOTICE: These instructions are not for the Tuscan and Bellini niches. To install Tuscan niches with out trim see "TuscanNicheNoTrimInstallation". To install Tuscan niches with trim and Bellini niches see "TuscanAndBelliniInstallation".

The Larger Niches are a more complicated installation and professional help is recommended.

- **Step 1:** The niches are deeper* and wider than a standard wall and will need to be framed as such. If this is not a new construction the studs in the wall will need to be moved or altered. Many* of the niches are also deeper and will protrude out of the wall behind. Installing the niche in a location such as the outside of a closet is recommended because the back of the niche won't be an issue in other rooms; see **Figure 1** below.
 - * *Fiore, Fiore Grande, Bellezza, and Botichelli are deeper than a standard wall. Russo and Carino are not deeper than a standard wall.*
- **Step 2:** The wall must be reframed and a rough opening of the correct dimensions is cut in the sheetrock. Basic carpentry skills are required to make this rough opening. Be sure that the cut lines and framing are parallel and square. The correct dimensions are found in the tables and diagrams at the end of this document.
- **Step 3:** Check the fit of the niche in the rough opening. Make sure that it can sit level and that the outside edge sits flush against the wall on all sides. The niche is mounted using drywall screws countersunk into the edges, shelf, and body fastening it to the framing as needed. It is recommended to countersink flat areas because they are easier to patch.
- **Step 4:** The outside edge of the niche is caulked and the countersunk drywall screw heads are patched / covered using Automotive Filler or other acceptable material. The patched screws are sanded flush. The niche receives a final coat of paint; the paint that comes on the niche is a just the primer.

If you have any questions, please contact us at 435-753-0800.

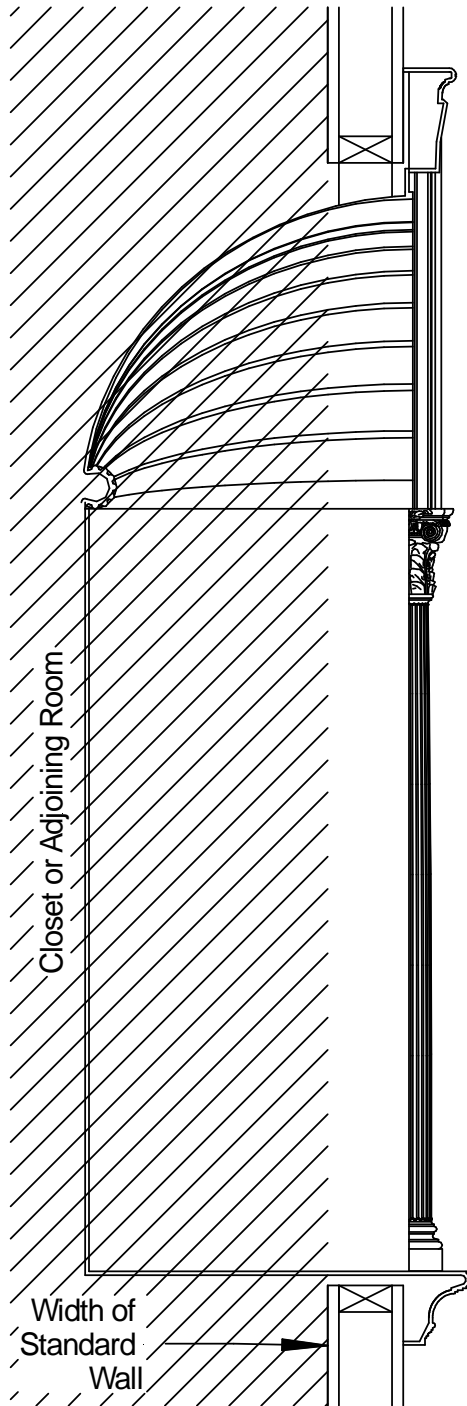
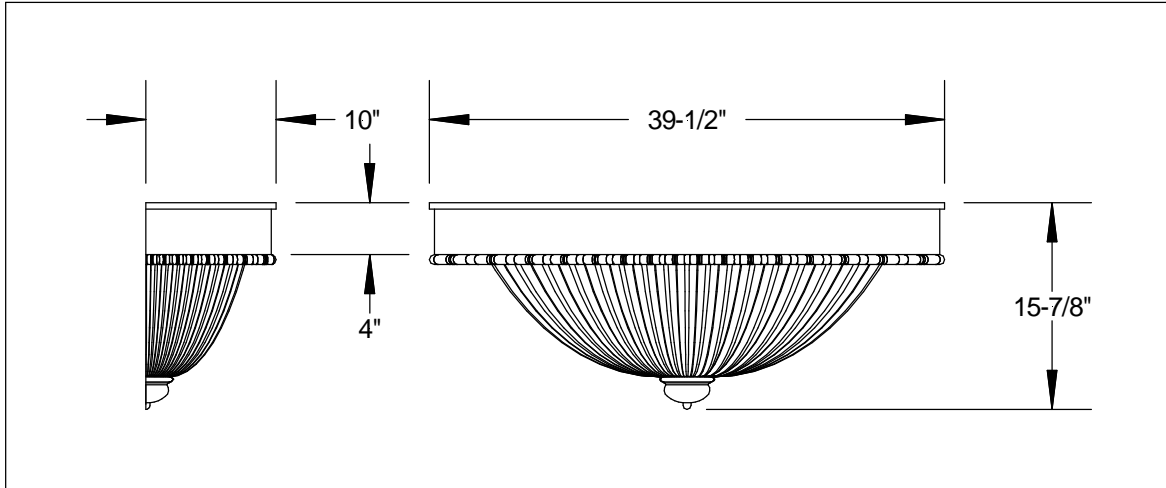
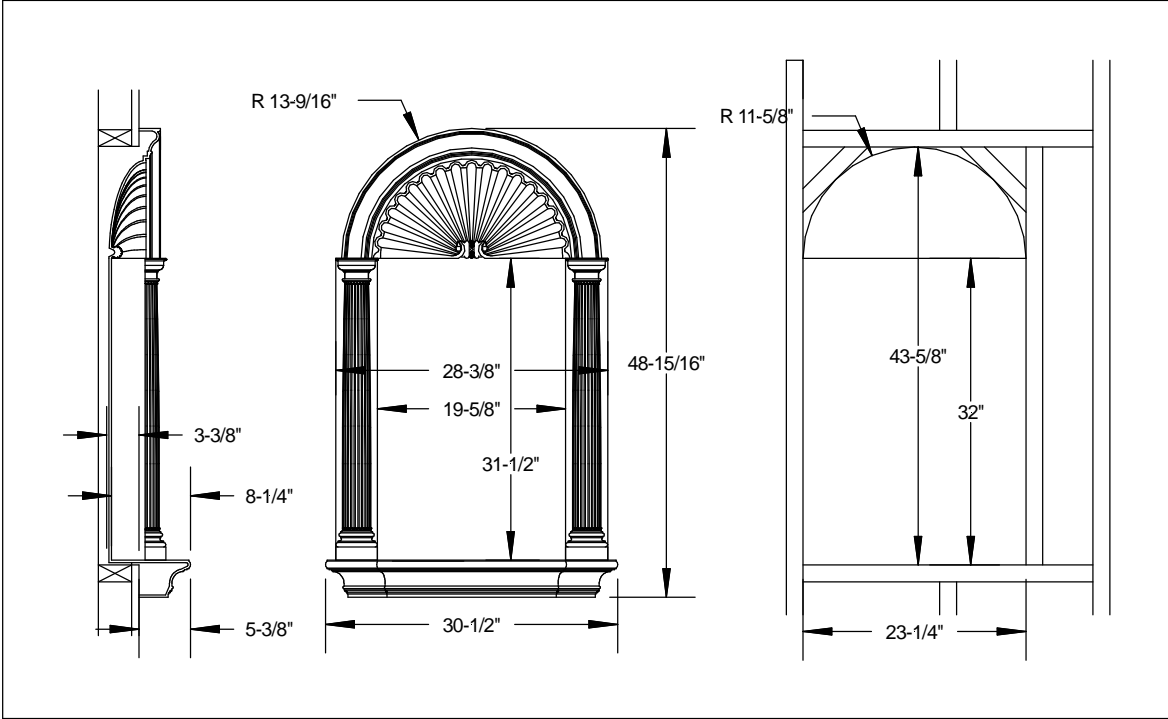


Figure 1



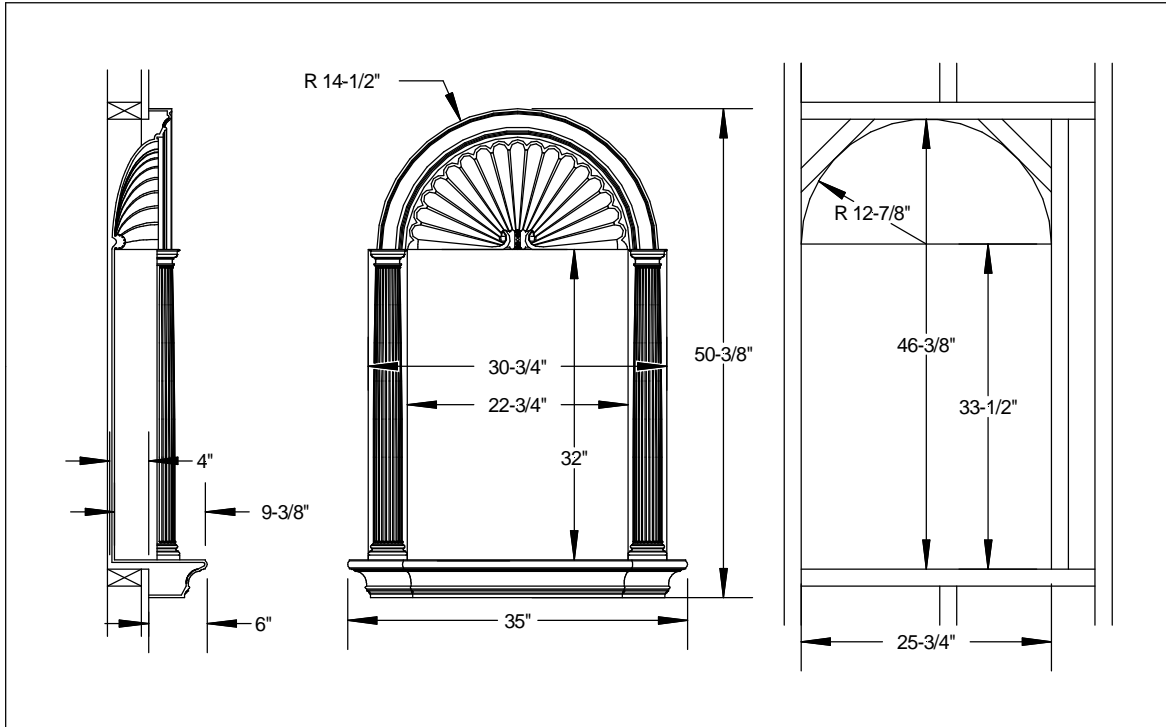
OPTIONAL TABLE (OAK LEAF AND ACORN)

Rough Depth: N/A	Overall Width: 39-1/2"
Rough Height: N/A	Overall Height: 15-7/8" (leaves only, 11-7/8")
Rough Width: N/A	Inside Width: N/A
Distance Protruding from Wall: 10"	Inside Height: N/A
Outside Width at Columns: N/A	Maximum Shelf Depth: N/A



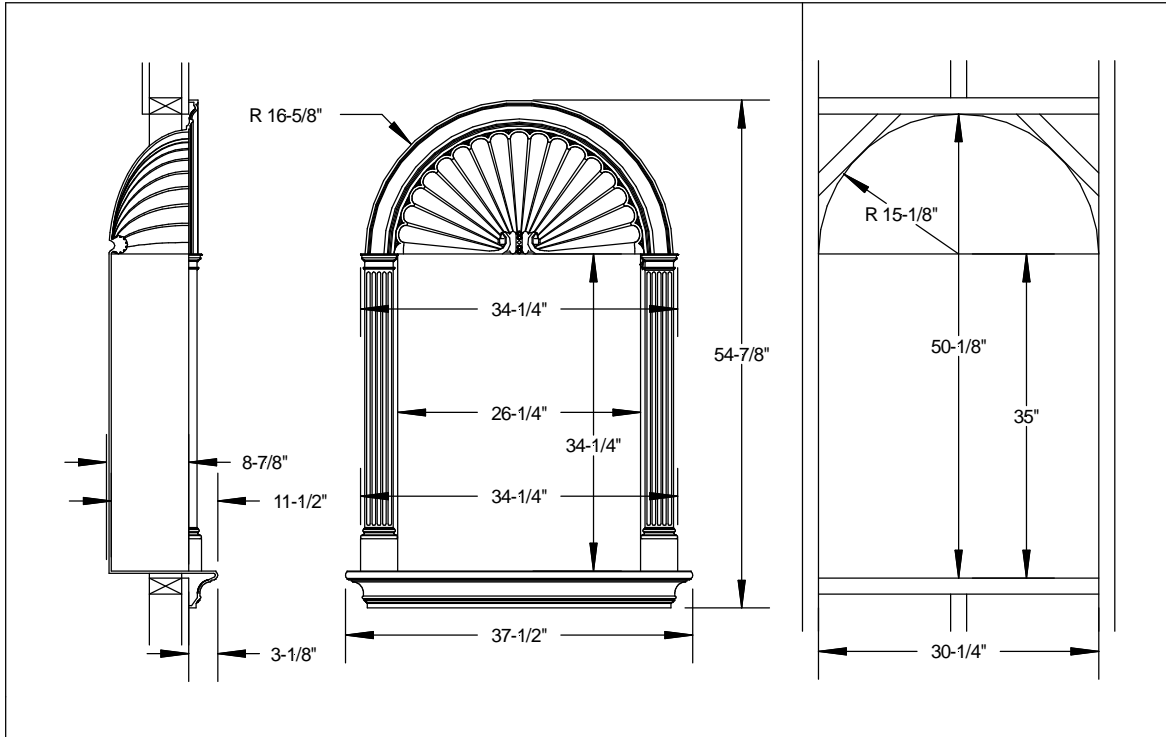
RUSSO

Rough Depth: 3-3/8"	Overall Width: 30-1/2"
Rough Height: 43-5/8"	Overall Height: 48-15/16"
Rough Width: 23-1/4" (11-5/8" Radius)	Inside Width: 19-5/8"
Distance Protruding from Wall: 5-3/8"	Inside Height: 31-1/2" (Can Be Altered)
Outside Width at Columns: 28-3/8"	Maximum Shelf Depth: 8-1/4"



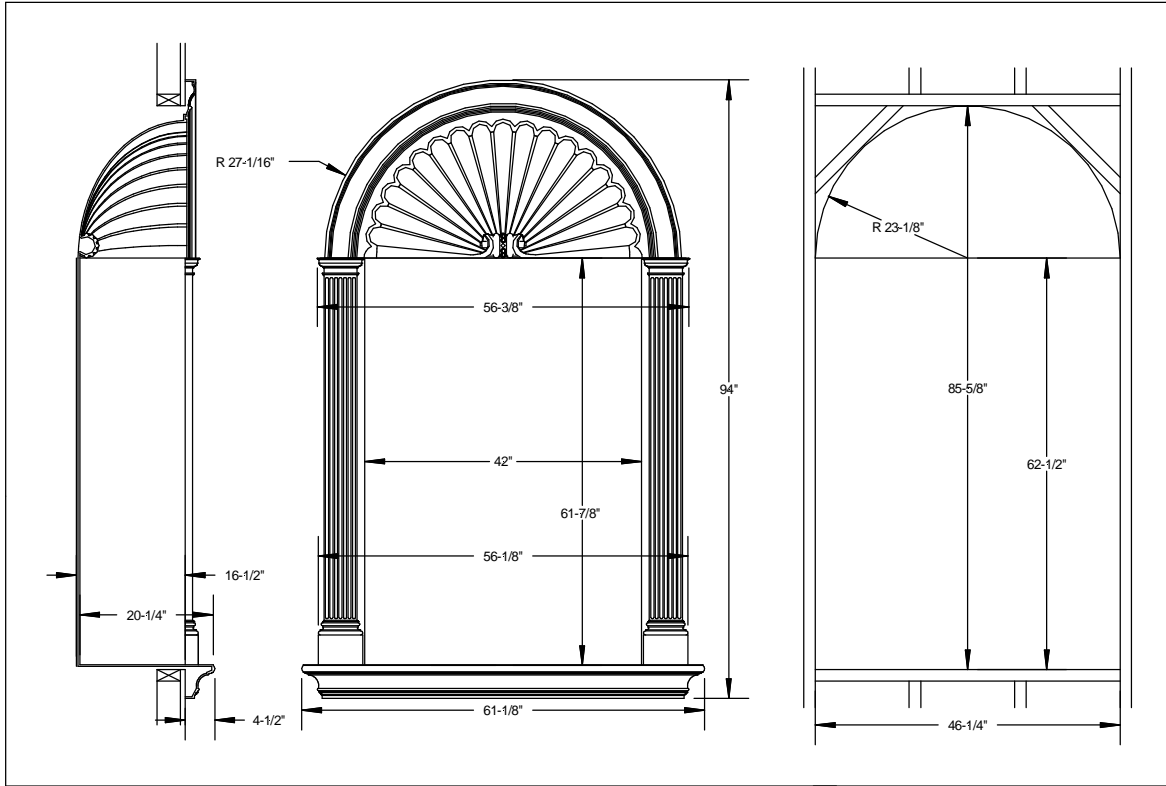
CARINO

Rough Depth: 4"	Overall Width: 35"
Rough Height: 46-3/8"	Overall Height: 50-3/8"
Rough Width: 25-3/4" (12-7/8" Radius)	Inside Width: 22-3/4"
Distance Protruding from Wall: 6"	Inside Height: 32" (Can Be Altered)
Outside Width at Columns: 30-3/4"	Maximum Shelf Depth: 9-3/8"



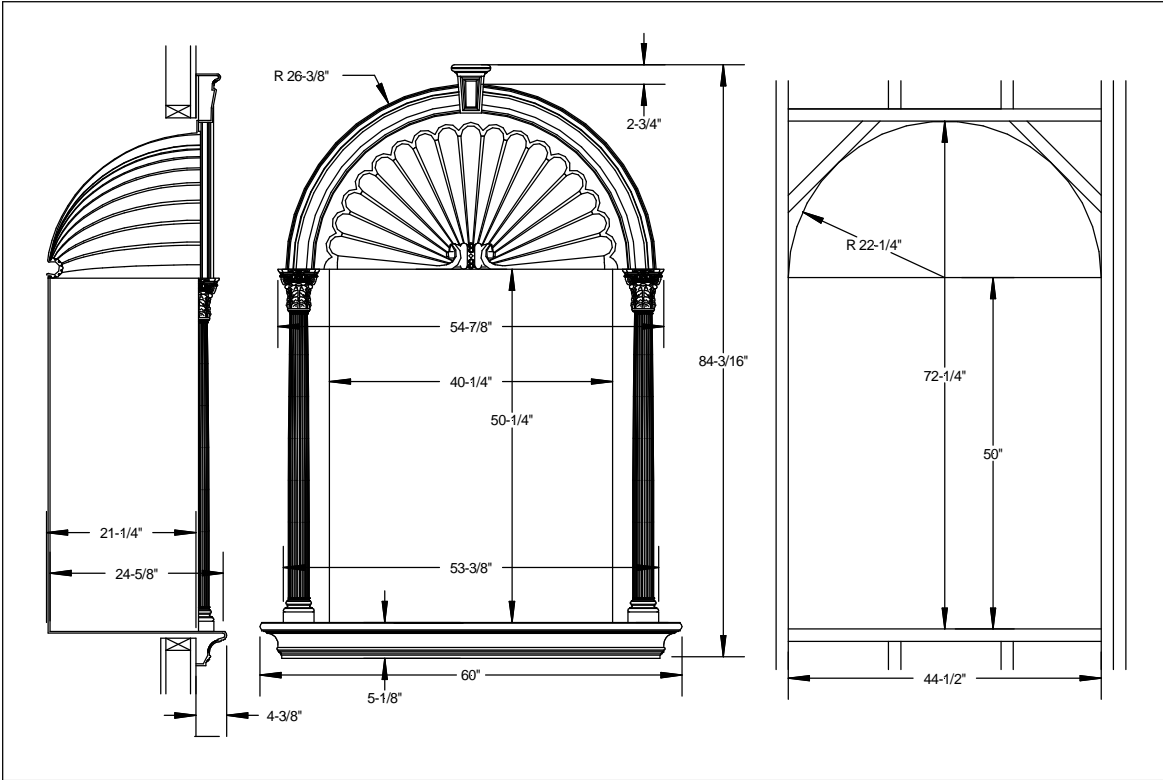
FIORE

Rough Depth: 8-7/8"	Overall Width: 37-1/2"
Rough Height: 50-1/8"	Overall Height: 54-7/8"
Rough Width: 30-1/4" (15-1/8" Radius)	Inside Width: 26-1/4"
Distance Protruding from Wall: 3-1/8"	Inside Height: 34-1/4" (Can Be Altered)
Outside Width at Columns: 34-1/4" & 34-1/4"	Maximum Shelf Depth: 11-1/2"



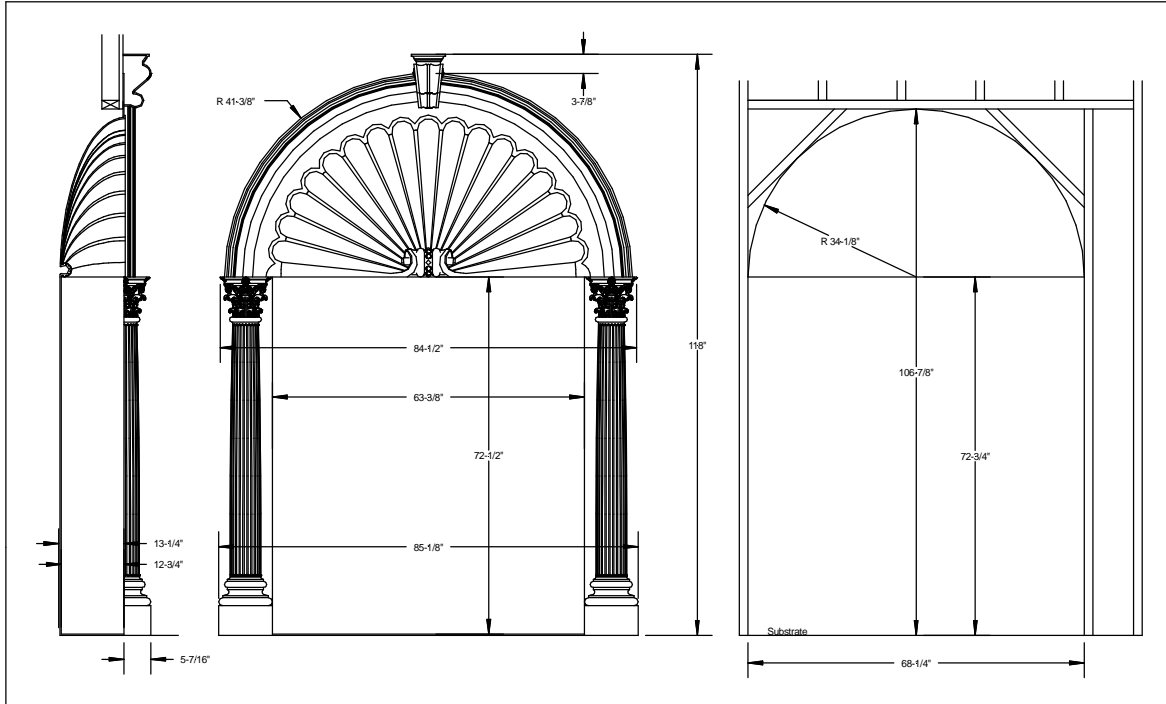
FIORE GRANDE

Rough Depth: 16-1/2"	Overall Width: 61-1/8"
Rough Height: 85-5/8"	Overall Height: 94"
Rough Width: 46-1/4" (23-1/8" Radius)	Inside Width: 42"
Distance Protruding from Wall: 4-1/2"	Inside Height: 61-7/8" (Can Be Altered)
Outside Width at Columns: 56-1/8" & 56-3/8"	Maximum Shelf Depth: 20-1/4"



BELLEZZA (Bottom Trim Optional)

Rough Depth: 21-1/4"	Overall Width: 60"
Rough Height: 72-1/4"	Overall Height: 84-3/16"
Rough Width: 44-1/2" (22-1/4" Radius)	Inside Width: 40-1/4"
Distance Protruding from Wall: 4-3/8"	Inside Height: 50-1/4" (Can Be Altered)
Outside Width at Columns: 53-3/8" & 54-7/8"	Maximum Shelf Depth: 24-5/8"



BOTICHELLI

Rough Depth: $13-1/4"$	Overall Width: $85-1/8"$
Rough Height: $106-7/8"$	Overall Height: $118"$
Rough Width: $68-1/4"$ ($34-1/8"$ Radius)	Inside Width: $63-3/8"$
Distance Protruding from Wall: $5-7/16"$	Inside Height: $72-1/2"$ (Can Be Altered)
Outside Width at Columns: $85-1/8"$ & $84-1/2"$	Maximum Shelf Depth: $12-3/4"$